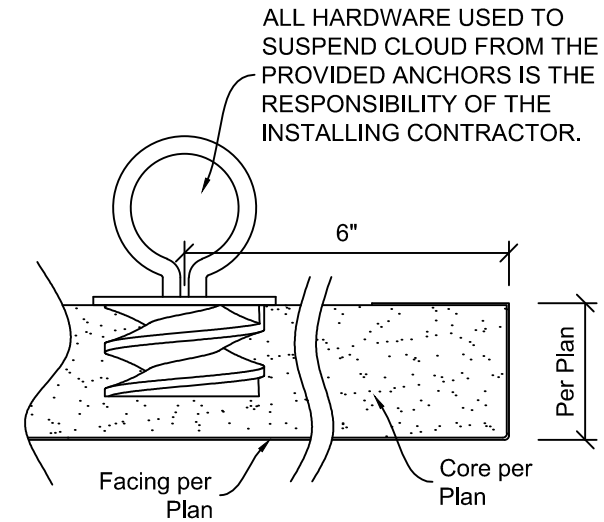


Panel Height	# of Cloud Anchors
Up to 54"	4 Clips (2 Rows)
55" - 96"	6 Clips (3 Rows)



## PANEL BACK ELEVATION

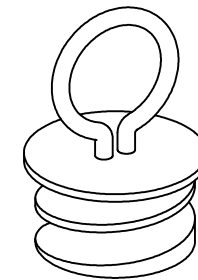
SCALE: N.T.S.

Cloud anchors will be supplied by AVL Systems, Inc. per the schedule as shown above and will arrive in their own box with your ceiling cloud order.

It is the responsibility of the installing contractor to secure the factory provided cloud anchors to the back of the panel per the layout / schedule as shown above.

Cloud Anchors should be installed flush with the top of the panel as shown in the diagram. **\*\*\*Do not over tighten as this will strip the fiberglass, potentially causing the cloud anchor to pull out.\*\*\***

The installing contractor is responsible for providing, installing and attaching their own suspension system and hardware to the cloud anchors for a secure mounting.



## TYP. CLOUD ANCHOR

SCALE: N.T.S.