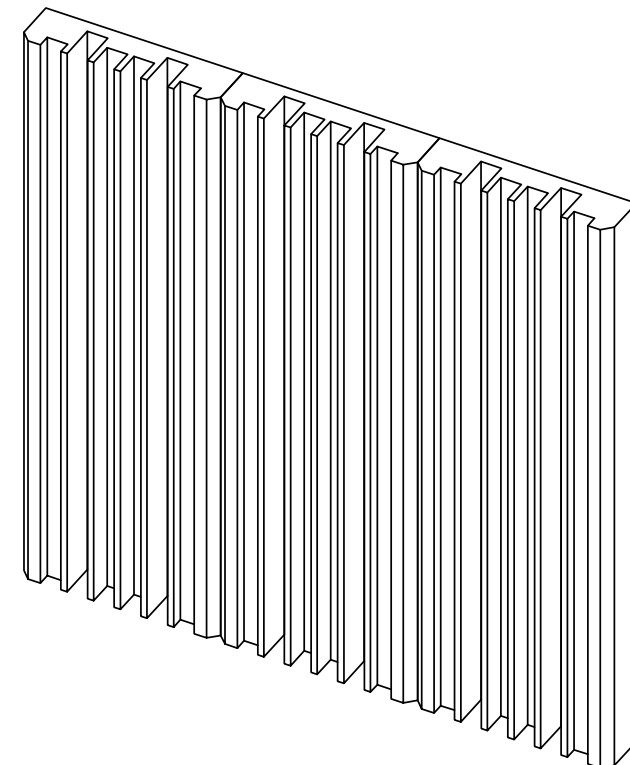


TYP. NAILING PATTERNS

SCALE: 3"=1'-0"



INSTALLATION INSTRUCTIONS FOR PRIME7-F^e PLANKS

1. FURRING STRIPS (PROVIDED BY INSTALLING CONTRACTOR)
 - 1.1. DETERMINE LAYOUT AND FASTEN TO WALL USING TYP. MEANS AND METHODS
 - 1.2. FURRING STRIPS NEED TO EQUAL OR EXCEED SPEC'D THICKNESS OF ACOUSTIC BACKING (THEATER BLACK)
 - 1.3. SPACING SHOULD NOT EXCEED 30" O/C
2. ACOUSTIC BACKING (THEATER BLACK) PER PLANS AND SPECS
 - 2.1. CUT TO FIT BETWEEN FURRING STRIPS AND INSTALL DIRECTLY TO WALL PER MANUFACTURER'S INSTRUCTIONS
3. PRIME7-F^e PLANKS
 - 3.1. FASTEN TO FURRING STRIPS USING TYP. MEANS AND METHODS
 - 3.1.1. TYP. NAILING PATTERN SHOWN FOR REFERENCE ONLY