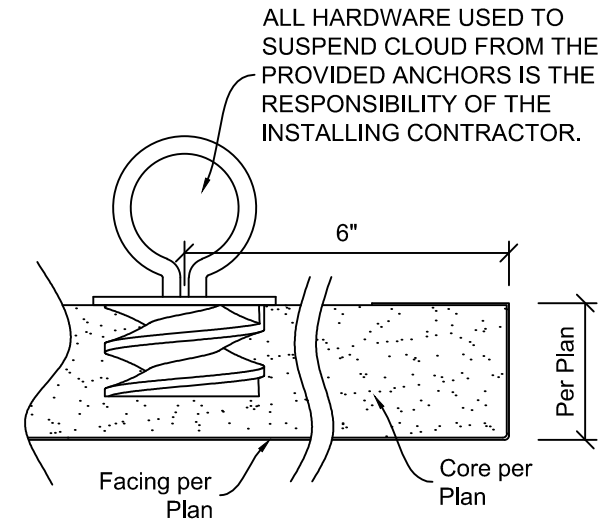


Panel Height	# of Cloud Anchors
Up to 54"	4 Clips (2 Rows)
54" - 96"	6 Clips (3 Rows)



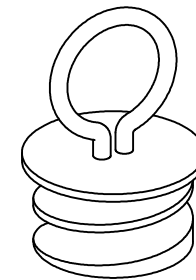
## PANEL BACK ELEVATION

SCALE: N.T.S.

Cloud anchors will be supplied by AVL Systems, Inc. per the schedule as shown above and will arrive in their own box with your ceiling cloud order.

It is the responsibility of the installing contractor to secure the factory provided cloud anchors to the back of the panel per the layout / schedule as shown above.

The installing contractor is responsible for providing, installing and attaching their own suspension system and hardware to the cloud anchors for a secure mounting.



## TYP. CLOUD ANCHOR

SCALE: N.T.S.